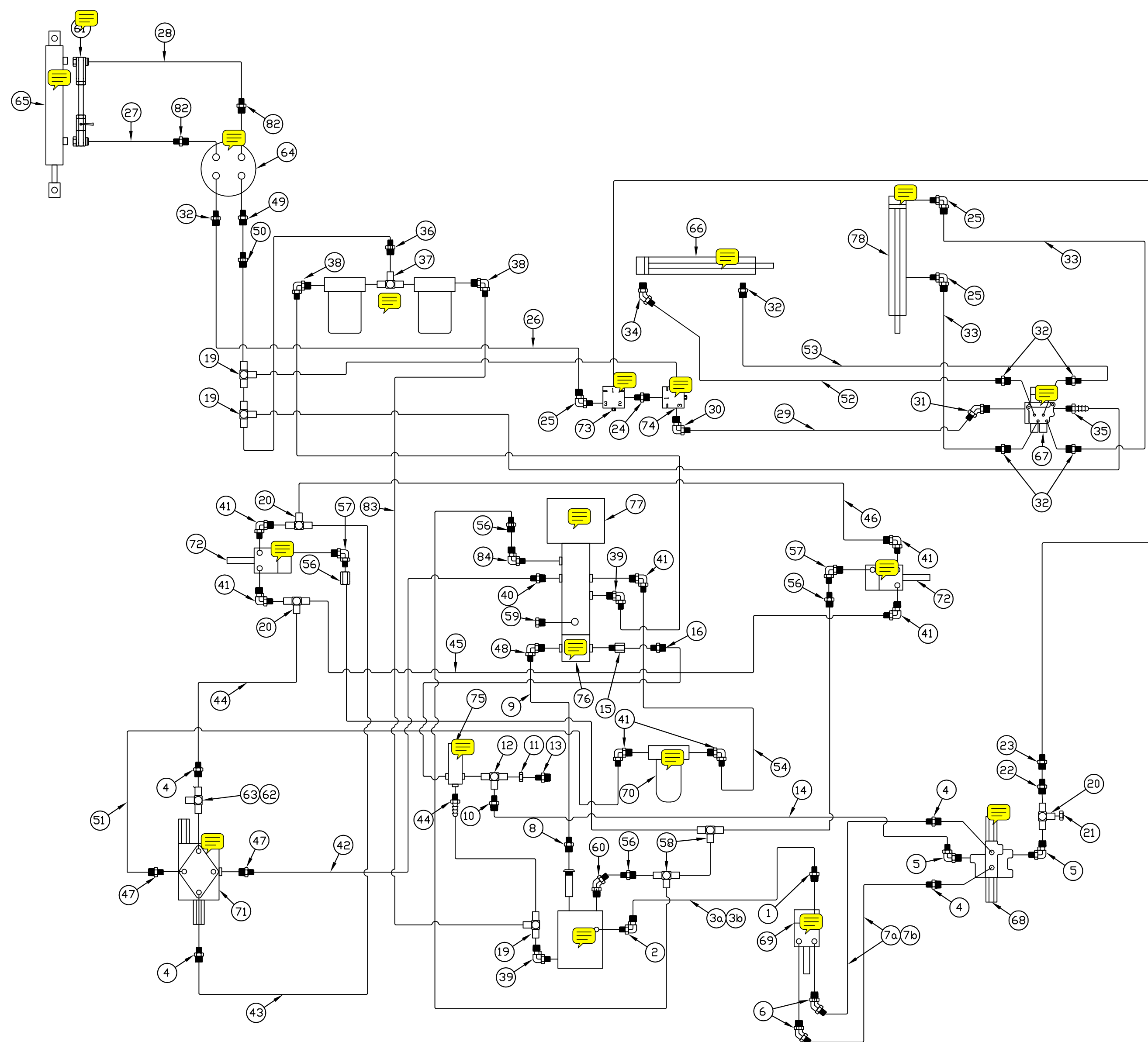


BILL OF MATERIAL			
ITEM	QTY	PART NO.	DESCRIPTION
76	1	9104033	GEAR PUMP
77	1	473990	PISTON PUMP
78	1	376640	LIFT CYLINDER
79	-	-	-
80	-	-	-
81	-	447474	801-6 PUSHLOK HOSE (BULK) CUT TO LENGTH
82	2	092882	6 MSAE X 6MJIC
83	-	446948	801-8 PUSHLOK HOSE (CUT TO LENGTH)
84	1	V63143600	6 MJIC X 8MSAE, ELBOW 90°
85	-	-	-
8	1	V63037800	12 MJIC X 1 MNPT STRAIGHT
9	1	369991	HOSE

BILL OF MATERIAL			
ITEM	QTY	PART NO.	DESCRIPTION
1	1	400994	4 MJIC X 4 MSAE STRAIGHT
2	1	093104	ADAPTER, 90
3a	1	381368	8' BROOM CASE DRAIN HOSE
3b	1	381376	6' BROOM CASE DRAIN HOSE
4	4	477634	8 MORFS X 8 MSAE STRAIGHT
5	2	477641	8 MORFS X 8 MSAE ELBOW 90
6	2	477647	8 MORFS X 10 MSAE ELBOW 45
7a	2	477621	HOSE ASSY; 8' BROOM HOSES
7b	2	477622	HOSE ASSY; 6' BROOM HOSES
10	1	386632	ADAPTER, #8 x 1/2 MNPT
11	1	477649	ADAPTER; 1/2 X 3/8
12	1	477660	ADAPTER TEE; 1/2 MRO-S
13	1	477648	NIPPLE; TEST PORT
14	1	477619	HOSE ASSY; PRIORITY VALVE TO RELIEF VALVE
15	1	085216	10 MSAE X 1/2 FNPT ADAPTER
16	1	025395	1/2 MNPT HES NIPPLE
17	1	447383	1/2 MNPT X 1/2 HOSE BARB STRAIGHT
18	-	-	-
19	3	075853	1/2 PLASTIC BARB TEE
20	3	477633	8 ORFS SWIVEL RUN TEE
21	1	477643	8 MORFS CAP
22	1	477644	8 X 6 ORFS REDUCER
23	1	477645	6 ORFS SWIVEL X 6 MSAE STRAIGHT
24	1	477646	6 MSAE X 6 MSAE STRAIGHT UNION
25	3	477639	6 MORFS X 6MSAE ELBOW 90
26	1	477617	HOSE ASSY; STEERING VALVE TO PRIORITY VALVE
27	1	377408	HOSE ASSY; STEERING VALVE TO STEERING CYLINDER
28	1	377416	HOSE ASSY; STEERING VALVE TO STEERING CYLINDER
29	1	477613	HOSE ASSY; ANGLE VALVE TO PRIORITY VALVE
30	1	477636	8 MORFS X 6 MSAE ELBOW 90
31	1	477635	8 MORFS X 8 MSAE STRAIGHT
32	6	477637	6 MORFS X 6 MSAE STRAIGHT
33	2	477624	HOSE ASSY; ANGLE VALVE TO LIFT CYLINDER
34	1	477638	6 MORFS X 6 MSAE ELBOW 45
35	1	477227	ADAPTER; HOSE BARB
36	1	467621	3/4 MNPT X 1/2 HOSE BARB STRAIGHT
37	1	467605	ADAPTER, TEE 12 NPTM X 12 NPTM
38	2	467613	1/2 HOSE BEAD X 3/4 MNPT 90°
39	2	447094	ADAPTER 90 8 SAEM X 1/2
40	1	477642	8 MORFS X 12 MSAE STRAIGHT
41	7	477632	8 MORFS X 12 MSAE ELBOW 90
42	1	477620	HOSE ASSY; HYDROSTAT VALVE TO PUMP
43	1	477611	HOSE ASSY; HYDROSTAT VALVE TO R WHEEL MOTOR
44	1	477612	HOSE ASSY; HYDROSTAT VALVE TO R WHEEL MOTOR
45	1	477608	HOSE ASSY; L WHEEL MOTOR TO R WHEEL MOTOR
46	1	477609	HOSE ASSY; L WHEEL MOTOR TO R WHEEL MOTOR
47	2	477631	8 MORFS X 10 MSAE STRAIGHT
48	1	068338	12 MJIC X 12 MSAE ELBOW 90
49	1	093385	8 MJIC X 6 MSAE STRAIGHT
50	1	447201	1/2 FJIC X 1/2 HOSE PUSH LOK FITTING
51	1	477607	HOSE ASSY; PRESSURE FILTER TO HYDROSTAT VALVE
52	1	477615	HOSE ASSY; ANGLE VALVE TO ANGLE CYLINDER
53	1	477616	HOSE ASSY; ANGLE VALVE TO ANGLE CYLINDER
54	1	477618	HOSE ASSY; FILTER TO HYDROSTAT
55	1	092825	6 MJIC X 6 MSAE ELBOW 90
56	4	447219	3/8 FJIC X 3/8 HOSE PUSH LOK FITTING
57	2	406645	6 MJIC X 4 MSAE ELBOW 90
58	5	447128	TEE, .38 ID HOSE BARB UNION
59	1	903211	8 SAE HEX HEAD PLUG
60	1	425348	6 MJIC X 6 MSAE ELBOW 45
61	1	376681	SPECIAL CYLINDER TUBE ASSY; KIT
62	1	444232	PLUG, .75 NPT W/ MAGNETIC BASE
63	1	477141	SPECIAL TEE FOR ELECTRICAL SENSOR
64	1	477414	STEERING GEAR
65	1	467977	STEERING CYLINDER
66	1	467985	ANGLE CYLINDER
67	1	9104030	2 SPOOL, ANGLE/LIFT VALVE
68	1	9104026	BROOM VALVE
69	1	473462	BROOM MOTOR
70	1	475483	PRESSURE FILTER
71	1	146838	FORWARD/REVERSE VALVE
72	1	9103730	WHEEL MOTOR
73	1	473520	PRIORITY FLOW DIVIDER
74	1	9102839	PRIORITY FLOW DIVIDER
75	1	9100970	RELIEF VALVE



WALDON 401 CAPACITY DRIVE, LONGVIEW, TEXAS 75604

NOTES:
 1. DO NOT SCALE PRINTS.
 2. VERIFY ALL DIMENSIONS.
 3. ALL DIMENSIONS ARE TO BE MADE ON THE SYSTEM.

TOLERANCE UNLESS OTHERWISE NOTED:
 .XX ± .005
 .XX ± .010
 .XX ± .015

THIS DRAWING & ALL INFORMATION THEREON IS THE PROPERTY OF WALDON & COMPANY, INC. IT IS LOANED CONFIDENTIAL & MUST NOT BE USED IN ANY WAY THAT IS DETRIMENTAL TO OUR INTERESTS.

HYDRAULIC LINES; 6HC/8HC

MATERIAL:

DRW	J WESSON	DATE	10SEP04	SIZE	PART NO.	REV.
CHK	MMY	DATE	-	C	477625	-
SCALE	NTS	SHEET	1 OF 1			